

Cement Mixa

Digga Cement Mixa can mix anything from cement to fertilizer, it fits quickly and easily to your Digga Planetary Auger Drive (Auger Drive sold separately)



Features:

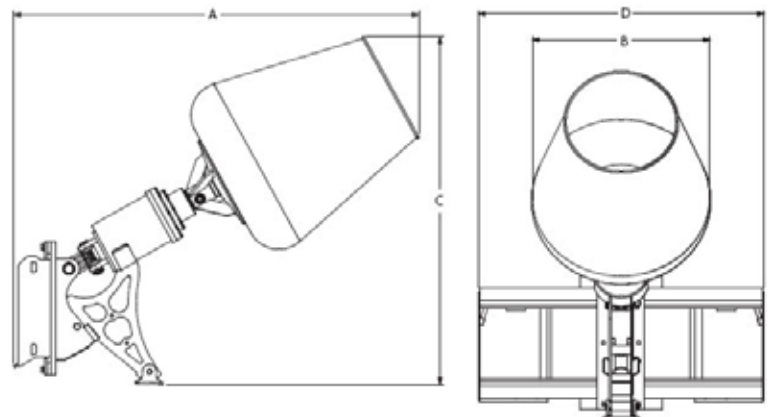
- Simple efficient design requires minimal fitment and can be fitted to your SCS
- Cement mixing attachment to suit all premium Digga auger drives and Mini auger drives
- Maintenance free
- New Design, easy connection

Machine Suitability:

Skid Steer Loaders, Front end Loaders and Tele-Handlers

Ideal Use:

Mixing cement, fertilizer and similar products



Specifications	2.2 Cubic Feet	3.5 Cubic Feet
Length (A)	1300mm	1424mm
Width (B)	1212mm	1212mm
Height (C)	1469mm	1571mm
Width (D) Bowl Only	580mm	740mm
Max Pressure (BAR)	205	240
Max Flow (LPM)	30-75	75-230
Weight Complete with PD3 & Frame	158Kg	173Kg
Weight (Bowl & Cradle Only)	38Kg	53Kg

Call your Local Digga Dealer Today

DIGGA Head Office
Auckland, NZ
12-14 Joval Place
Wiri Manukau 2104
Ph: 09 262 3500

DIGGA Nelson
42G Quarantine Road
Nelson 7011
Ph: 027 541 9222

DIGGA Gore
9 Takahe Terrace
Gore 9710
Ph: 027 222 6488